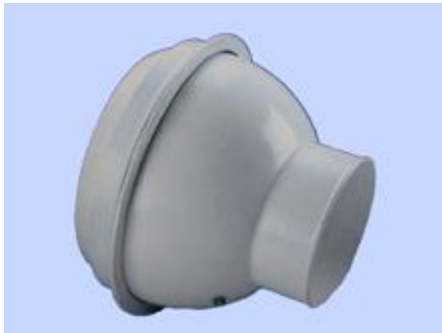


Hi-Flo Spot Diffuser



Model HFSD spot diffuser are designed to handle high air flow & provide relatively long throws which makes them particularly suitable for conditioning of large spaces such as halls, auditorium, terminal buildings, warehouses and shopping mall.

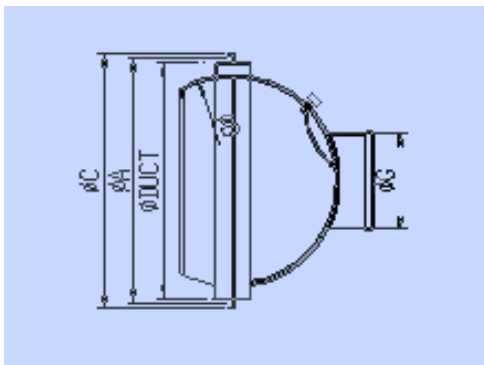
Features

- Aluminium alloy construction.
 - Long flow characteristics.
 - High air handling capacity.
 - Eyeball type core rotation.
 - Easy to install and adjust.
 - Multiplier outlet arrangement.
- Rotation angle up to 33° to 42° in all direction.

Finish

- Aluminium alloy construction.
- Standard finish is white baked enamel. Special colour finishes or special anodize finish are available.

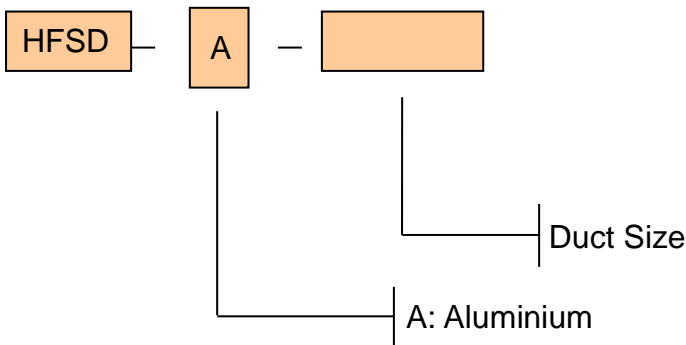
Dimension



ΦDUCT	ΦA	ΦB	ΦC	ΦG
166	178	150	200	74
218	230	199	255	95
278	290	250	315	135

Hi-Flo Spot Diffuser

Order Code



Performance Data

Duct Size	Diffuser Velocity (m/s)	2.5	5	7.5	10	12.5	15	17.5	20
166	Air Flow (m3/s)	0.011	0.023	0.037	0.047	0.056	0.07	0.079	0.09
	Pressure Drop (pa)	5	17.5	45	72.5	110	205	232	300
	Noise Level (NC)	-	-	<20	<20	21	27	30	33
	Throw (m)	5.7	17.5	15	19.6	24	30	33	37
218	Air Flow (m3/s)	0.02	0.042	0.06	0.079	0.1	0.12	0.14	0.15
	Pressure Drop (pa)	4	15	42	67	95	160	230	300
	Noise Level (NC)	-	<20	<20	22	27	33	35	39
	Throw (m)	7.5	12	18	25	31	37	45	49
278	Air Flow (m3/s)	0.039	0.079	0.11	0.15	0.19	0.23	0.27	0.31
	Pressure Drop (pa)	3.5	15	35	60	110	157	230	300
	Noise Level (NC)	-	<20	<20	20	26	30	34	38
	Throw (m)	9	16	27	33	44	49	57	68

NC level is based on 10dB room attenuation with one diffuser operating.
 Throw length is based on 0.25 m/s terminal velocity with one diffuser operating.